

**X-RAY FILM
AUTOMATIC
PROCESSOR**

XP1000

WHAT'S NEW WITH XP1000
COMPACT DESK TOP TYPE
90 SEC. SPEEDY PROCESSOR?

Enables use of Conventional Films and Chemicals for 90 sec. Processing, different from others' that need special ones!

Possible for One Touch Changeover of Processing Speed even during film processing to obtain optimum film images!

Capable of processing Mammographic Films only by one touch changeover of processing speed!



■ **Processing Speed of 90sec./110sec./150sec.**

3 Speeds of "H"(90sec.)/"M"(110sec.)/"L"(150sec.) are selectable in one touch, depending on the types of films, chemicals, usage and so on.

It can also be extended up to max. 4minutes processing time for more versatile use at request.

■ **Convenient and Economical 90sec. Processing with Conventional Films and Chemicals.**

Most other makes require special type films and solutions to enable 90sec. processing, while our XP1000 processor accepts conventional films and solutions, thus extremely convenient and economical.

■ **One Touch Changeover of Processing Speed.**

Processing speed is adjustable in one touch selection of "H"(90sec.)/"M"(110sec.)/"L"(150sec.) buttons on the front panel, even during processing work(e.g.if first film processed were too light, change next films to a lower speed). It can help prolong the life of solutions.

■ **Mammographic Facilities**

Capable of processing mammographic films only by changing the processing time, with no need of any special version(e.g.150sec).

■ **Ease of Cleaning and Maintenance**

The Separate Rack System of Developer, Fixer, Washer and Dryer allows easy removal of each rack for rollers cleaning and easiest periodical maintenance works that are quite important and cost saving.

■ **Auto-Standby System for Energy Saving and Environmental Safety**

Standby mode makes the roller-cleaning by intermittent rollers drive, controls the temperatures to prevent vapping of solutions and emission of gas (that affect on image quality), keeps the dryer temperature to a low level.

■ **Automatic Replenishment System**

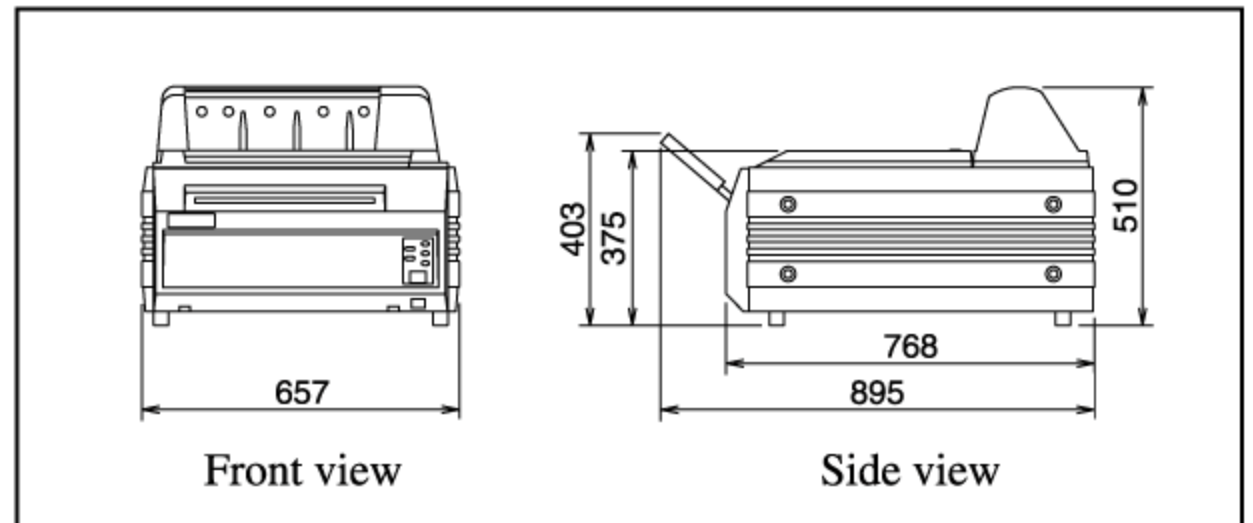
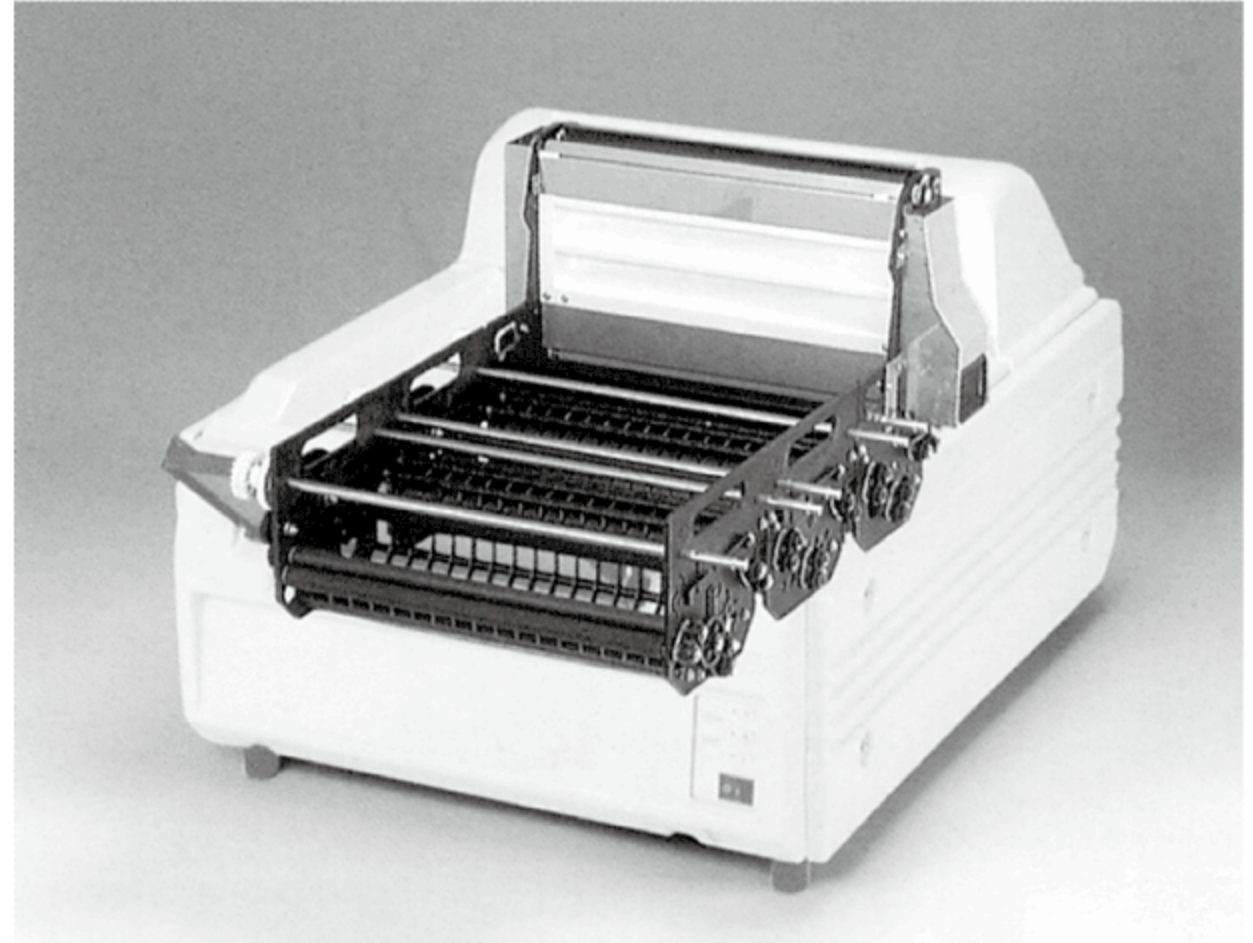
Provided with Auto-Replenishment Pumps and Separate Tanks for Developer /Fixer /Washer to always obtain clear film images and to prevent wearing of solutions.

■ **Highly Dependable and Endurable Constructions**

Adoptinon of Special Materials and Worm Wheels System etc . assures smooth and highly dependable movement and durability , which covers over 30prints/a day.

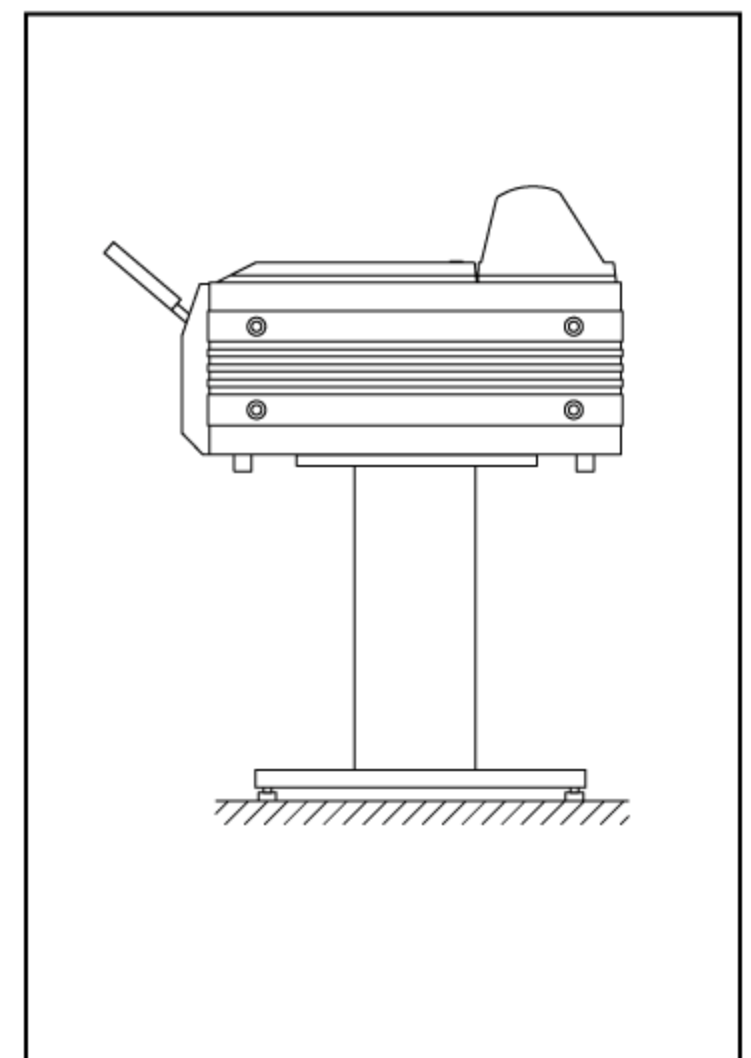
■ **Compact and Space Saving Design**

The small installation space allows more space for other works.



SPECIFICATIONS

| | |
|----------------------|---|
| Film transport: | Continuous Roller Transport System |
| Processing Films: | 100×100mm(4"×4")up to 350×430mm(14"×17") |
| Processing Time: | 90sec.(H)/110sec.(M)/150sec.(L), dry to dry |
| Processing Capacity: | 75 films/hour(250×300mm film)90sec(H) 53 films/hour(350×430mm film)90sec(H) |
| Tank Capacity: | Developer(6.5L), Fixer(6.5L), Washer(5.5L) |
| Replenishment: | Automatic Replenishing System by film sensor |
| Power Source: | Single Phase, AC 220V/240V, 50/60Hz. |
| Power Consumption: | 9.5A(220V) |
| Dimensions: | 657mm(W)×895mm(D)×510mm(H) With out film insert case 768mm(L) |
| Net Weight: | 58 Kg |
| Options: | 1. Mount Stand 2. Screen Board (for Main Unit in Daylight Room, film inlet in Dark Room) 3. Screen Board (for Main Unit in Dark Room, film outlet in Daylight Room) 4. Circulation Pump(Warter Reservoir System) 5. Electro Magnetic Valve for Supply Water Saving 6. Water Filter Kit |



Mount Stand

※Processing capability may vary depending on user film type and chemicals.

Design and technical specifications are subject to modification for improvement without notice.