

**NEW 90SEC. TYPE PROCESSOR, ULTRA COMPACT DESK TOP TYPE !  
UPGRADED HIGH PERFORMANCE, YET ECONOMICAL PRICED !**

**X-RAY FILM  
AUTOMATIC  
PROCESSOR**

# **XP-9000**

*Enables use of Conventional Films and Chemicals for 90sec. Processing,  
different from others' that need special ones!*

*High Film Processing Capacity in 90sec. mode.*

*Capable to Obtain Optimum Film Images by 90sec. or 120sec. or 180sec.*

*Higher Capacity of Developer, for a long- continuous use.*

*Successive Intermittent Replenishment of Solutions.*

*Solutions Saving Minimized Replenishing.*

*Injection- molded Tank Cases and Film Insert Case.*

*Provided with Interlock Switch to turn off all the circuits when removed Film Insert Case.*



# AUTOMATIC FILM PROCESSOR **XP-9000**

■ **Processing Speed of 90sec./120sec./180sec.**

3 Speeds of 90sec. and 120sec. and 180sec. mode are selectable, depending on the types of films, chemicals, usage and so on (90sec mode is only available for orthochromatic film.).

■ **Convenient and Economical 90sec. Processing with Conventional Films and Chemicals**

Most other makes require special type films and solutions to enable 90sec. processing, while our XP-9000 processor accepts conventional films and solutions, thus extremely convenient and economical.

■ **Injection-molded Processing Tanks and Film Insert Case**

To be free from leakage of solutions etc. and exposure to light.

■ **Film Processing Capacity:**

High Speed processing of 100 films/hour in 90sec. mode, but recommended to use 120sec or 180sec. mode for processing of standard films.

■ **Auto-Standby System for Energy Saving and Environmental Safety**

Standby mode makes the roller-cleaning by intermittent rollers drive, controls the temperatures to prevent vaporizing of solutions and emission of gas (that affect on image quality), keeps the dryer temperature to a low level.

■ **Large Developer Tank Capacity of 3.7 Litres.**

■ **Successive Intermittent Automatic Replenishment System**

Intermittent replenishment system, as it means minimized solutions replenishing, assures a longer continuous use and enables to save solutions amount.

■ **Thermister controlled Developer and Dryer temperatures.**

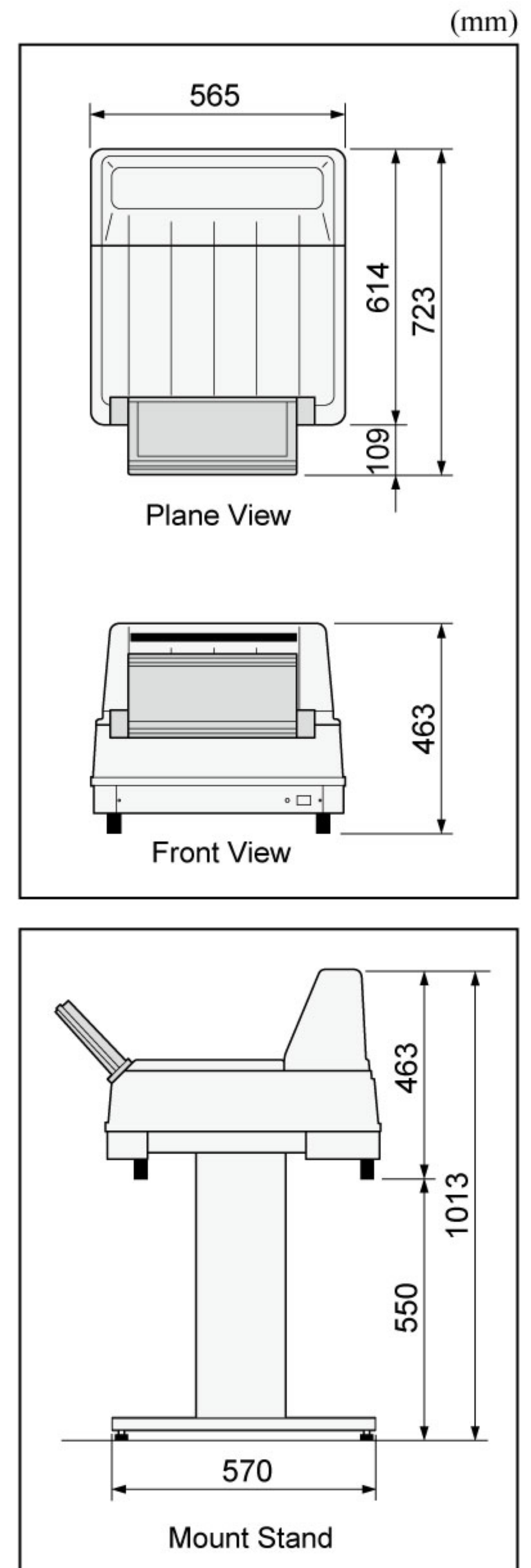
■ **Highly Dependable and Endurable Constructions**

Adoption of Special Materials and Worm Wheels System etc. assures smooth and highly dependable movement and durability.

■ **Compact and Space Saving Design**

**SPECIFICATIONS**

Film transport System:	Continuous Roller Transport System
Processing Films:	100 × 120mm(4"× 5") up to 350 × 430mm(14"× 17" )
Processing Time:	90-120-180sec. Selectable
Processing Capability: ※	71films/hour(Processing Speed: 90sec. 250 × 300mm) 49films/hour(Processing Speed: 90sec. 350 × 430mm)
Chemicals:	Chemicals for automatic x-ray film processors
Tank Capacity:	3.7L(Developer), 2.4L(Fixer) and 2.3L (Washer)
Standard Processing Temperatures:	Developer: 35°C.33°C.31°C. Selectable Dryer : 60°C±5°C(Standby mode: 45°C)
Temperature Control:	Developer: Constant temperature control by Thermister Dryer : Constant temperature control by Thermister
Solutions Replenishment System:	Automatic constant replenishment system by film detection
Developer Stirring System:	By rotating stirring plate
Washing System:	Running water system(Water Reservoir system is optionally possible)
Safety Devices:	Overheat preventive system, Manual Resetting Safety Thermostat (Developer/Fixer/Dryer), Circuit Breaker
Standby Mode:	For energy saving, rollers wearing prevention, Maintaining of a lower temp. of dryer temp, Intermittent operation of drive motor Intermittent replenishment of replenishment solutions
Installation Environments:	Temperature: 20°C±10°C Humidity: 30%~80% Water Temperature: Water of 5°C or more
Main Power:	Single phase, adjustable to AC 220/240V, 4.5A(110/120V, 9A),50/60Hz.
Dimensions:	565mm(W) x 723mm(L) x 463mm(H) Without Film Insert Case: 614mm (L)
Net Weight:	27.5Kg.
Options:	1. Mount Stand 2. Water Pump Unit(In Water Reservoir System only) 3. Supply Water Electromagnetic Valve Unit 4. Wall Mounted Water Filter Unit 5. Floating Tips(200pcs.) 6. 20L Replenishment Tanks:(for Developer Tank & Fixer Tank)



※Processing capability may vary depending on user film type and chemicals.

Design and technical specifications are subject to modification for improvement without notice.